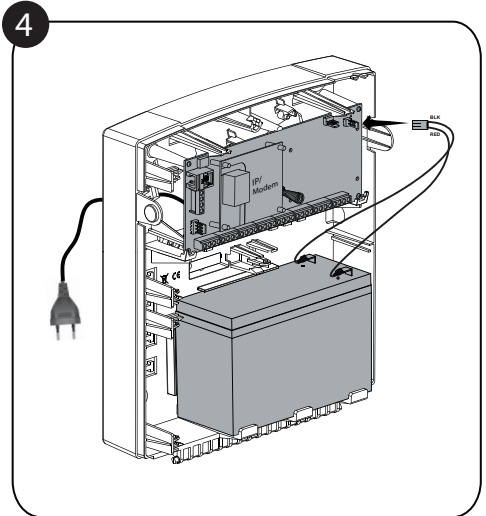
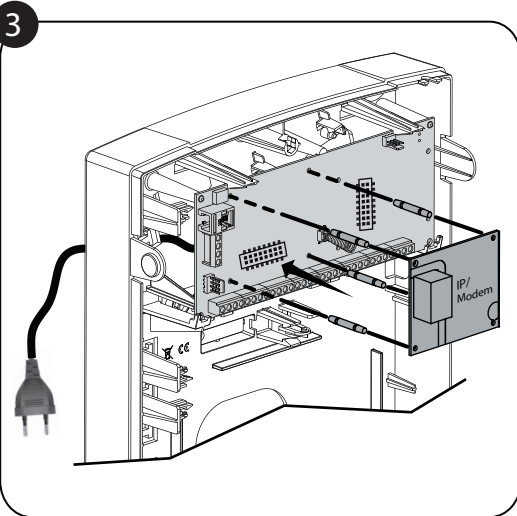
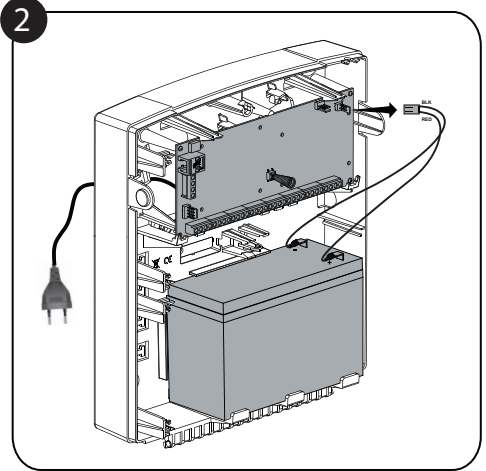
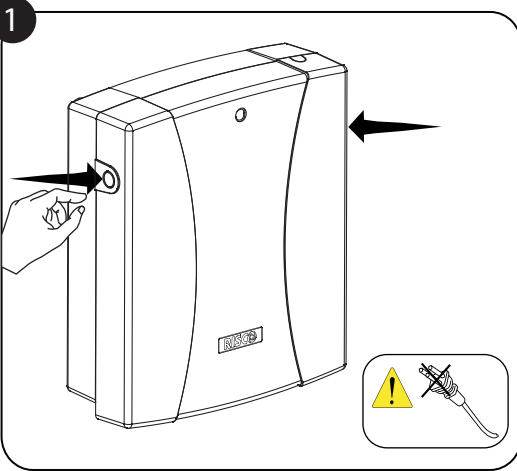


IP Module Assembly, LightSYS

Model: RW132IP P/N: RW132IP0000A



13.8VDC \pm 10%

Average: 55 mA

Peak: 105 mA

-10°C > 55°C
(14°F > 131°F)

-40°C > 60°C
(-40°F > 140°F)

≤ 80%

70mm

60mm


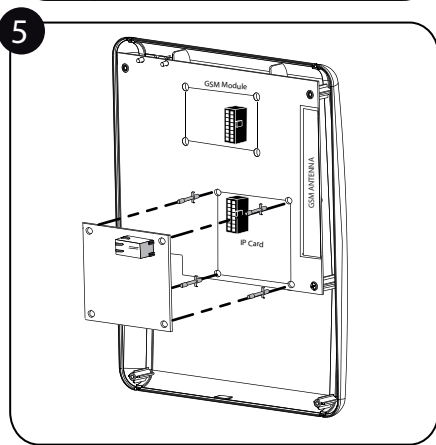
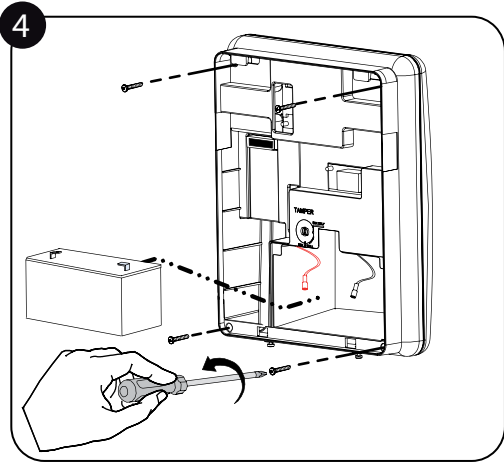
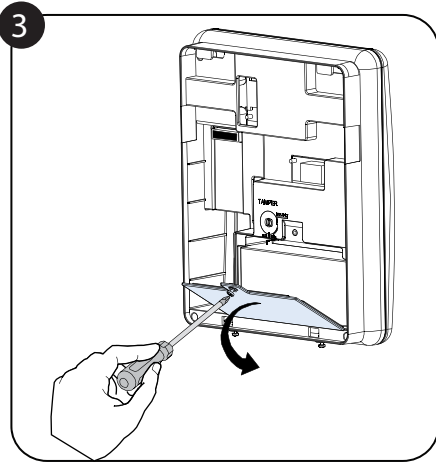
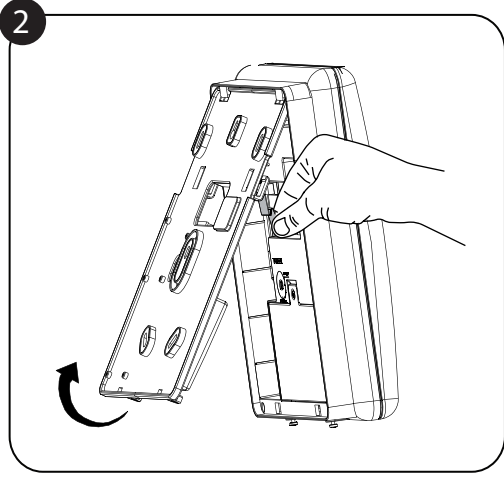
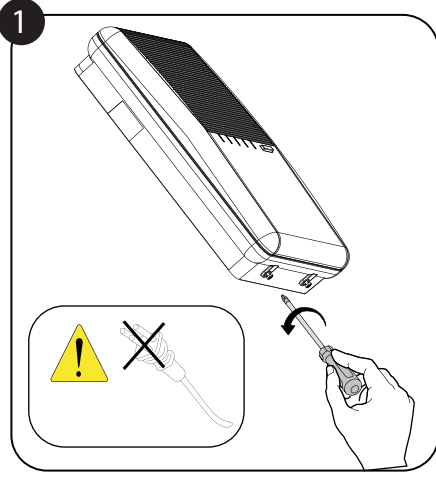
EN50131 Grade 2 Environmental Class II,
EN50131-10 SPT Type Z

EN50136-1, EN50136-2 Comments:


- Alarm transmission System classification (per EN50131-1): ATS 5
- ATS Category(per EN50136-1): Category C (to be used in parallel with GSM and PSTN SPT/transmission paths)
- Compatibility with Serial interface with AS.
- Compatibility with TCP/IP protocol
- Method of operation: Pass-through

IP Module Installation, Agility

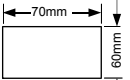
Model: RW132IP P/N: RW132IP0000A



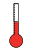
13.8VDC + 10%




Average: 55 mA
Peak: 105 mA




70mm
60mm



-10°C > 55°C
(14°F > 131°F)



-40°C > 60°C
(-40°F > 140°F)



≤ 80%

